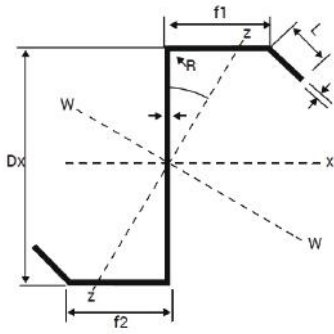
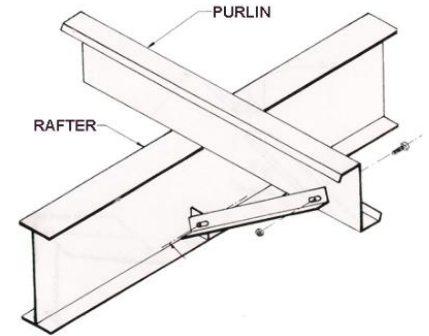
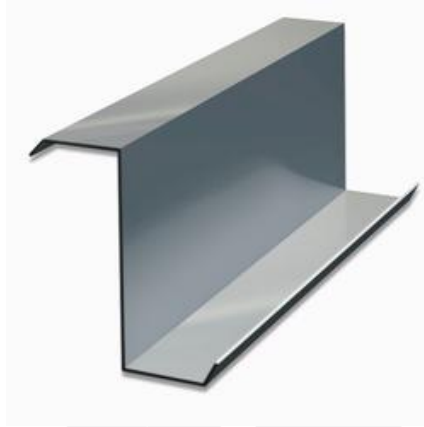




PRODUCT DATA SHEET OF ISTM 'Z' PURLIN



Z Purlin



"Z" PURLIN

MATERIAL SPECIFICATION

- Material thickness: 1.5 to 3 mm
- Yield Stress minimum 345 N/mm²
- Coating / Finish : G90(275 GSM Zinc Coating)
- Material Specification : As per ASTM A653 / A653M

- Span upto 11 meters
- Depth is 100 to 350 mm
- Z- Purlin has a high strength to weight ratio

PROPERTIES & LOAD TABLES

TABLE OF PROPERTIES FOR Z SECTION

Section	GENERAL PROPERTIES					SECTION PROPERTIES								
	Weight	D (mm)	A (mm)	C (mm)	T (mm)	Ix defl (cm ⁴)	Sx (T) (cm ³)	Sx (B) (cm ³)	Sxe (T) (cm ³)	Sxe (B) (cm ³)	RX (cm)	Ly (cm ⁴)	Sy (cm ⁴)	Ry (cm ⁴)
	Kg/M													
Z 150 15	2.84	150	40	12	1.5	128.900	18.480	17.830	17.203	17.600	5.585	33.650	5.010	2.854
Z 180 15	3.55	180	50	17	1.5	223.700	24.980	24.190	22.110	23.490	6.965	28.740	4.460	2.497
Z 202 15	3.92	202	60	12	1.5	301.700	30.320	29.440	26.290	28.410	7.721	35.860	5.160	2.662
Z 202 20	5.22	202	60	14	2.0	397.700	39.960	38.800	37.490	38.250	7.695	46.910	6.770	2.643
Z 202 25	6.53	202	60	16	2.5	491.400	49.380	47.940	48.050	47.670	7.670	57.510	8.330	2.624
Z 252 18	5.7	252	66	16	1.8	666.800	53.580	52.290	46.120	50.240	9.547	63.440	7.990	2.945
Z 252 20	6.34	252	66	18	2.0	738.100	59.310	57.870	50.940	55.570	9.537	70.020	8.830	2.937
Z 252 25	7.92	252	66	20	2.5	913.900	73.430	71.660	68.630	70.470	9.511	86.060	10.880	2.918
Z 302 20	7.36	302	75	17	2.0	1283.800	85.950	84.170	64.840	79.330	11.473	117.370	12.440	3.469
Z 302 25	9.2	302	75	19	2.5	1592.200	106.530	104.380	87.610	98.900	11.447	144.640	15.370	34.450

1. Design of Purlins is based on AISI -2001

